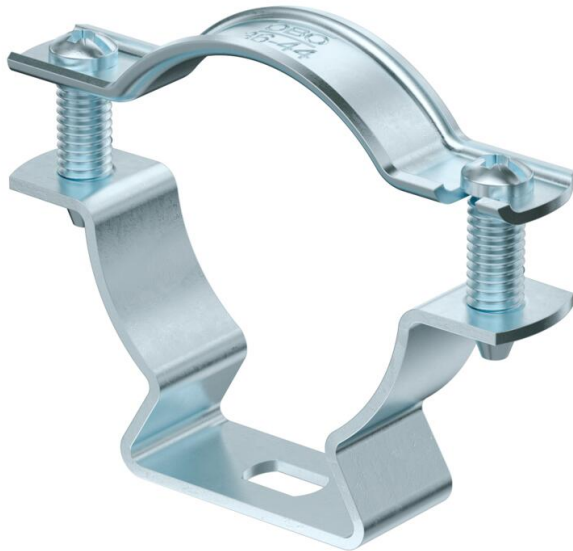


Technical data sheet

Spacer clip 733 G

Item number: 1362780



Spacer clip for the installation of pipes and cables on walls, ceilings and floors. With self-locking cover. Fastening via slot.

Approved for the maintenance of electrical function according to DIN 4102 Part 12, maintenance of electrical function classes E 30 to E 90.



St Steel

G Electrogalvanized

Master data

| | |
|-----------------------------------|----------------------------|
| Item number | 1362780 |
| Description 1 | Distance saddle |
| Description 2 | with slot |
| Manufacturer | OBO |
| Dimension | 36-44mm |
| Material | Steel |
| Surface | Electrogalvanized |
| Surface standard | EN ISO 19598 / EN ISO 4042 |
| Smallest sales unit | 20 |
| Unit of quantity | Piece |
| Weight | 4.151 kg |
| Weight unit | kg/100 pc. |
| CO Footprint (GWP) Cradle-to-Gate | 0,1158 kg COe / 1 Piece |

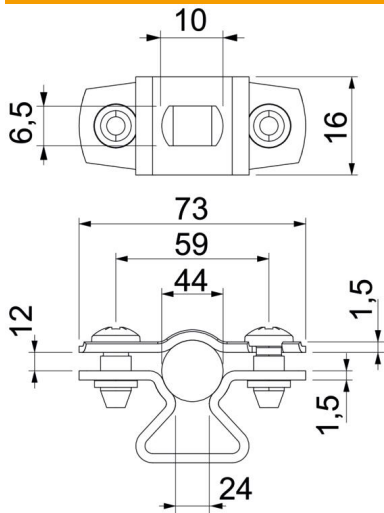
Technical data sheet

Spacer clip 733 G

Item number: 1362780



Dimensions



| | |
|-------------------|-------|
| Dimension A | 73 mm |
| Dimension B | 59 mm |
| Dimension b | 16 mm |
| Dimension D | 44 mm |
| Dimension d max. | 44 mm |
| Dimension d min. | 36 mm |
| Dimension L | 10 mm |
| Dimension s | 24 mm |
| Dimension t1 (mm) | 1.5 |
| Dimension t2 (mm) | 1.5 |
| Dimension x | 12 mm |

Technical data

| | |
|----------------------------------|------------|
| Distance to the wall | yes |
| Number of cables/pipes | 1 |
| Version for | Closed |
| Fastening type | Screw hole |
| For diameter | 36 - 44 |
| Suitable in fire protection area | yes |
| Halogen-free | yes |
| Plastic-covered | no |
| Material thickness | 1.5 mm |
| Clamping range D, max. | 44 mm |
| Clamping range D, min. | 36 mm |
| UV-resistant | yes |